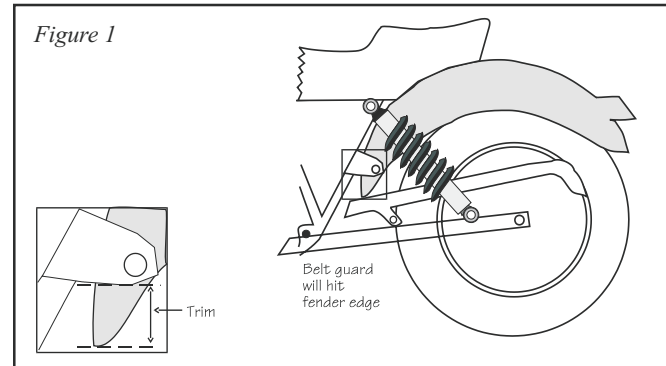


## Wide Glide (FXDWG) Modifications

1. Stock shock length on 93-07 FXDWG is 12 5/8". Stock clearance between the fender and belt guard is minimal. When the shocks are fully compressed the fender may contact the belt guard.
2. When installing Progressive Suspension<sup>®</sup> shocks we recommend that the fender/belt guard clearance be verified as outlined in #3. If necessary trim the fender as shown in Figure 1 inset.
3. To verify fender/belt guard clearance, it is recommended that one shock (without spring) be mounted and the shock be totally compressed.



## Wide Glide (FXDWG) Modifications

1. Stock shock length on 93-07 FXDWG is 12 5/8". Stock clearance between the fender and belt guard is minimal. When the shocks are fully compressed the fender may contact the belt guard.
2. When installing Progressive Suspension<sup>®</sup> shocks we recommend that the fender/belt guard clearance be verified as outlined in #3. If necessary trim the fender as shown in Figure 1 inset.
3. To verify fender/belt guard clearance, it is recommended that one shock (without spring) be mounted and the shock be totally compressed.

