



Installation Instructions 412CRZ Series Rear Shocks

ATTENTION

Statements in these instructions that are preceded by the following words are of special significance:

Warning

This means there is the possibility of injury to yourself or others.

Caution

This means there is the possibility of damage to the motorcycle.

Note

Information of particular importance has been placed in italics.

Warranty

Progressive Suspension warrants to the original purchaser of this Part to be free of manufacturing defects in materials and workmanship for 1 year on the dampers and lifetime on the springs. In the event warranty service is required, you must call Progressive Suspension immediately with a description of the problem.

If it is deemed necessary for Progressive Suspension to make an evaluation to determine whether the part is defective, a return authorization number will be given by Progressive Suspension. The parts must be packaged properly so as to not cause further damage and returned prepaid to Progressive Suspension with a copy of the original invoice of purchase and a detailed letter outlining the nature of the problem. If after the evaluation by Progressive Suspension the part was found to be defective it will be repaired or replaced at no cost to you. If we replace it, we may replace it with a reconditioned one of the same design.

Progressive Suspension shall not be held liable for any consequential or incidental damages resulting from the failure of a Progressive Suspension part. Progressive Suspension shall have no obligation if a part becomes defective as a result of improper installation or abuse.

Warning

Lowering your motorcycle will decrease initial ground clearance. The motorcycle will be lower to the ground and care should be taken to avoid bottoming, especially over bumps or in turns. Lowering a motorcycle can change the handling characteristics. Always use extreme caution when riding after a change is made and take time to get accustomed to any handling change.

IMPORTANT NOTICE

Note: Please read the following instructions completely before starting installation!

These shocks must be mounted with the adjuster at the bottom. Follow instructions in an authorized shop manual or take the motorcycle to a competent dealer.

Warning

The motorcycle must be securely blocked to prevent it from tipping over when the shocks are removed. Failure to do so can cause serious damage and/or injury.

The use of lowering blocks on Progressive Suspension shocks is not recommended. Use of a lowering kit may void the warranty or damage the shock/motorcycle.

Progressive Suspension shocks are designed to work on the OEM (Original Equipment) frame and swingarm. Use of these shocks on a frame or swingarm other than OEM may produce an unsatisfactory ride and void the warranty.

Make sure that proper bushings/sleeves are installed in the shocks. Improper bushings/sleeves can cause unsatisfactory and/or unsafe operation (see the instructions packaged with the mounting hardware).

Be sure to refer to instruction supplements provided in any included mounting hardware

Installation

1. Place a quality jack or sufficient blocks under the motorcycle to securely lift the rear wheel slightly off the ground.
2. Using the correct shop manual for your bike, remove the old shocks and note location of mounting hardware. If additional accessories are installed on your motorcycle, please refer to their mounting instructions for removal to gain access to your shocks.

3. Before installing your new Progressive shocks you need to check the tire to fender clearance, making sure that the tire does not come in contact with the fender. If the rear fender or tire has been changed to anything other than stock, a travel limiter may be required. On some models with side bags or luggage, the bag or luggage mounts may need to be modified to eliminate any interference. Install the shock assemblies onto the motorcycle with the included hardware, note any special instructions in the hardware kit. Tighten bolts / nuts to their proper torque. Check the clearances of the shock to the frame, shock to chain or belt, shock to chain or belt guard and shock to brake caliper and/or linkage. See arrows in Fig 1 , check both sides. Offset lower eye may be rotated in or out to gain clearance where needed.

Caution

4. Reinstall any accessories removed in accord with their mounting instructions, while watching for possible clearance issues. The bushings in the shock eyes are designed to allow a certain amount of rotation and deflection necessary for proper operation, and binding and/or metal-to-metal contact must NOT occur throughout this range of movement. If any accessories bolt to – or near – the shock mounting points it is crucial that there is no metal to metal contact with a minimum clearance of .02” from the shock be maintained through its range of motion to insure no binding or contact occurs.

5. Set your ride sag. The proper spring pre-load setting will permit the rear suspension to sag, or compress, approximately 1.7”-2.0” inches from full extension. This is more sag than with typical shocks, but is by design as the 412CRZ Series shock is specifically designed to deliver a lower ride height. To check sag, take a measurement from the center of the rear axle, straight up to a vertical point on the rear fender or frame with the shocks fully extended. Then take a second measurement using the same points with the rider(s) on the bike. The difference between the two measurements is the ride sag. If the bike is sagging too much, increase the pre-load. These shocks are set at the factory to minimum pre-load.

6. Spring pre-load adjustments are made by turning the Preload Cam near the bottom of the shock. Turn this adjuster clockwise to increase spring pre-load and counterclockwise to decrease spring pre-load. There are 5 steps/positions on the preload cams, set the pre-load equally on both shocks. See Fig. 2

NOTE: Do not turn Preload Adjuster cams past the highest setting, as damage may occur.

For easier spring preload adjustments, put a small amount of cam lube (supplied) on the sliding surface prior to rotating the cam. See Fig. 3

7. Test ride: If excessive bottoming occurs you need to increase your spring pre-load setting as described above.

8. Then ride and enjoy.....Safely.

Compliment your new shocks with a set of Progressive Suspension fork springs.



Fig1

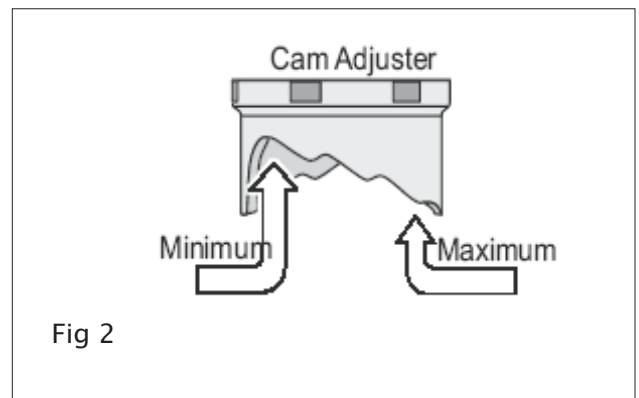


Fig 2

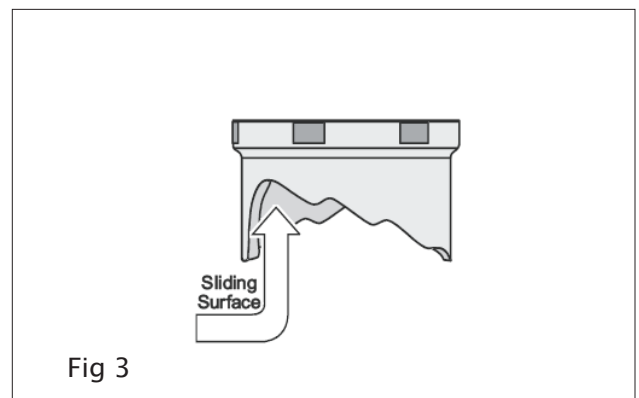


Fig 3